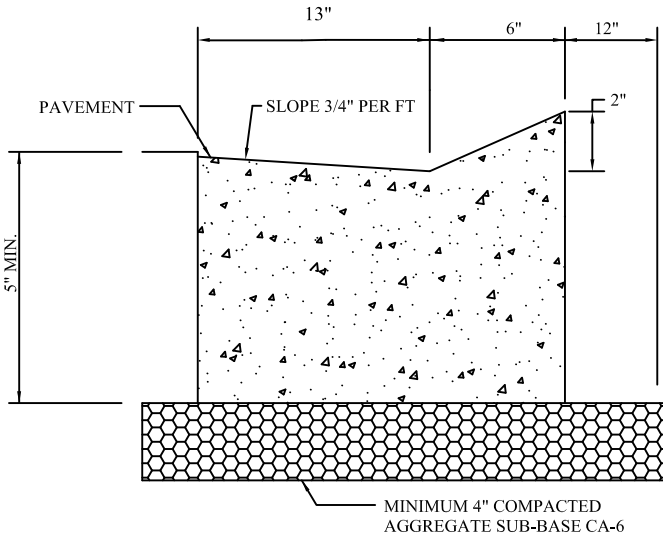
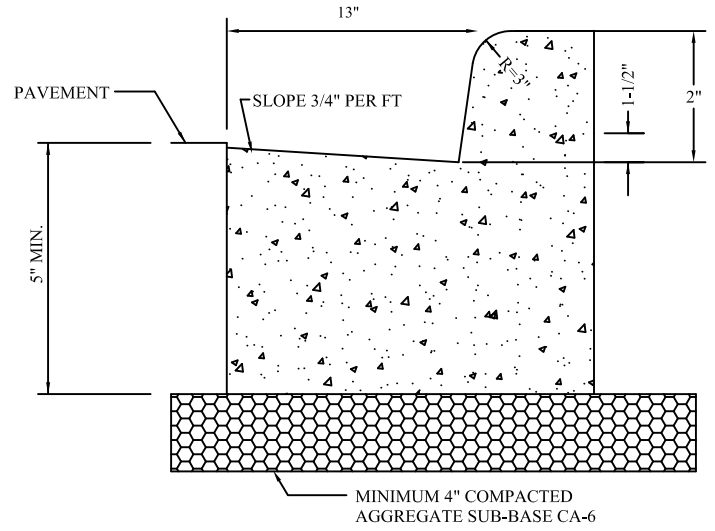


# CONCRETE

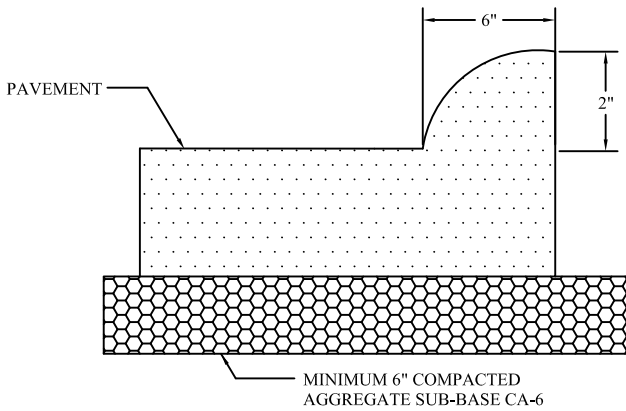


DEPRESSED COMBINATION CURB & GUTTER

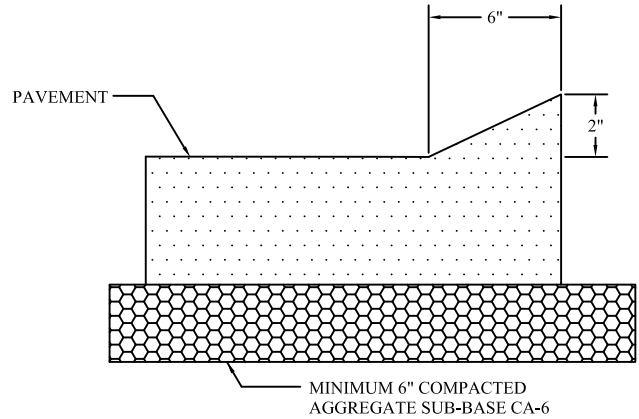


COMBINATION CURB & GUTTER

# ASPHALT



ROLLED ASPHALT CURB AND GUTTER



DEPRESSED ASPHALT CURB AND GUTTER

## CONCRETE GENERAL NOTES:

1. TOOLED CONTROL JOINTS OR SAWCUTS SHALL BE MADE EVERY 15 FEET.
2. SAWCUTS SHALL BE MADE WITHIN TWENTY-FOUR (24) AND SEALED WITH A VILLAGE APPROVED JOINT SEALANT. JOINTS SHALL BE CLEAN AND DRY PRIOR TO THE APPLICATION OF SEALANT.

## ASPHALT GENERAL NOTES:

1. HAND TAMP 2" CURB IN PLACE.

REV.:		
REV.:	TEG	REV.: 02-01-2024
DRAWN BY:	MTM	DATE: 08-06-2014

# DRIVEWAY CURB EDGE

VILLAGE OF LOMBARD

PAVEMENT 15